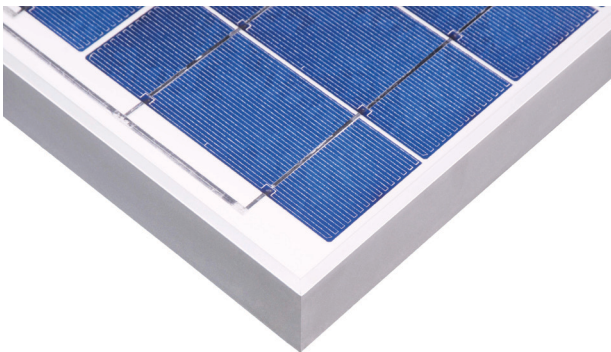
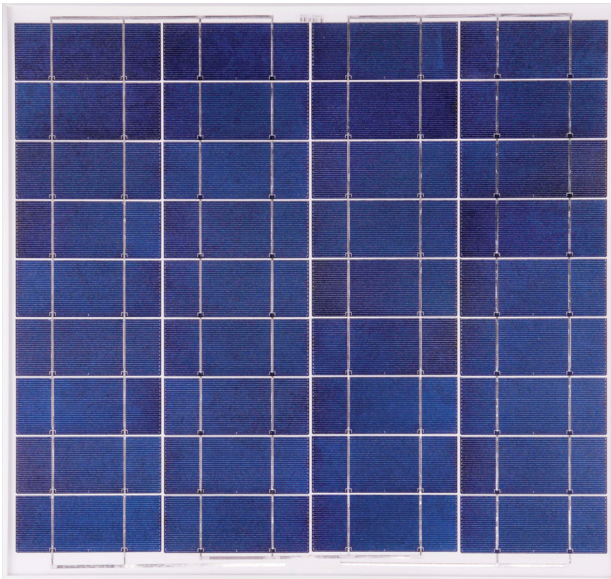


YGE 55 SERIES

Powered by **YINGLI**

YL055P-17b 2/5

YL050P-17b 2/5



ABOUT YINGLI GREEN ENERGY

Yingli Green Energy Holding Company Limited (NYSE: YGE) is one of the world's largest fully vertically integrated PV manufacturers. With over 4.5 GW of modules installed globally, we are a leading solar energy company built upon proven product reliability and sustainable performance. We are the first renewable energy company and the first Chinese company to sponsor the FIFA World Cup™.

PERFORMANCE

High efficiency, polycrystalline solar cells with high transmission and textured glass delivering a module efficiency of up to 13.2%, minimizing installation costs and maximizing the kWh output of your system per unit area.

QUALITY AND RELIABILITY

- Industry leading in-house manufacturing of polysilicon, ingots, wafers, cells and modules ensures tight control of our material and production quality.
- Robust, corrosion resistant aluminum frame independently tested to withstand wind loads of 2.4 kPa and snow loads of 2.4 kPa ensuring a stable mechanical life for your modules.
- Module packaging optimized to protect product during transportation and minimize on-site waste.
- This type of module is commonly use for the small off-grid system.

QUALIFICATIONS AND CERTIFICATES

IEC 61215, IEC 61730, CGC, ISO 9001:2008



YGE 55 SERIES

ELECTRICAL PERFORMANCE

Electrical parameters at Standard Test Conditions (STC)				
Module name			YGE 55	YGE 50
Module type			YL55P-17b 2/5	YL50P-17b 2/5
Power output	P_{max}	W	55	50
Power output tolerances	ΔP_{max}	%	+/- 5	
Module efficiency	η_m	%	13.2	12.0
Voltage at P_{max}	V_{mpp}	V	17.83	17.34
Current at P_{max}	I_{mpp}	A	3.08	2.88
Open-circuit voltage	V_{oc}	V	22.07	21.46
Short-circuit current	I_{sc}	A	3.28	3.10

STC: 1000W/m² irradiance, 25°C cell temperature, AM1.5g spectrum according to EN 60904-3.
Average relative efficiency reduction of 5% at 200W/m² according to EN 60904-1.

Electrical parameters at Nominal Operating Cell Temperature (NOCT)				
Power output	P_{max}	W	44.55	40.50
Voltage at P_{max}	V_{mpp}	V	16.43	15.98
Current at P_{max}	I_{mpp}	A	2.47	2.31
Open-circuit voltage	V_{oc}	V	20.08	19.53
Short-circuit current	I_{sc}	A	2.62	2.48

NOCT: open-circuit module operation temperature at 800W/m² irradiance, 20°C ambient temperature, 1m/s wind speed.

THERMAL CHARACTERISTICS

Nominal operating cell temperature	NOCT	°C	46 +/- 2
Temperature coefficient of P_{max}	γ	%/°C	-0.45
Temperature coefficient of V_{oc}	β_{Voc}	%/°C	-0.33
Temperature coefficient of I_{sc}	α_{Isc}	%/°C	0.06

OPERATING CONDITIONS

Max. system voltage	50V _{DC}
Max. series fuse rating	5A
Limiting reverse current	Do not apply external voltages larger than Voc of the module
Operating temperature range	-40 to 85°C
Max. static load, front (e.g., snow and wind)	2400Pa
Max. static load, back (e.g., wind)	2400Pa
Max. hailstone impact (diameter / velocity)	25mm / 23m/s

CONSTRUCTION MATERIALS

Front cover (material / thickness)	low-iron tempered glass / 3.2mm
Cell (quantity / material / dimensions)	36 / multicrystalline silicon / 156mm x 62.4mm
Encapsulant (material)	ethylene vinyl acetate (EVA)
Frame (material / color / anodization color)	anodized aluminum alloy / silver / clear

- Due to continuous innovation, research and product improvement, the specifications in this product information sheet are subject to change without prior notice. The specifications may deviate slightly and are not guaranteed.
- The data do not refer to a single module and they are not part of the offer, they only serve for comparison to different module types.

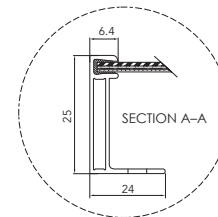
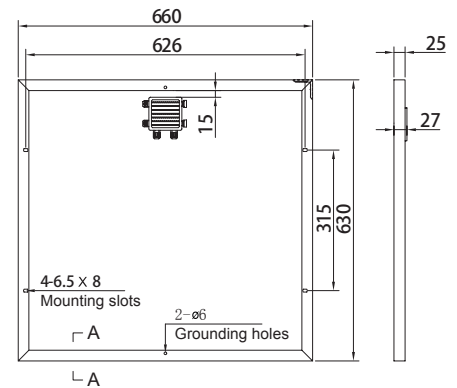
GENERAL CHARACTERISTICS

Dimensions (L / W / H)	660mm / 630mm / 25mm
Weight	4.79kg

PACKAGING SPECIFICATIONS

Number of modules per box	6
Packaging box dimensions (L / W / H)	690mm / 660mm / 210mm

Unit: mm



Warning: Read the Installation and User manual in its entirety before handling, installing, and operating Yingli Solar modules.

Our Partners:

Yingli Green Energy Holding Co. Ltd.
service@yinglisolar.com
Tel: 0086-312-8929802

YINGLISOLAR.COM

© Yingli Green Energy Holding Co. Ltd. | DS_YL055P-17b_25_EU_EN_201302_v02.3

